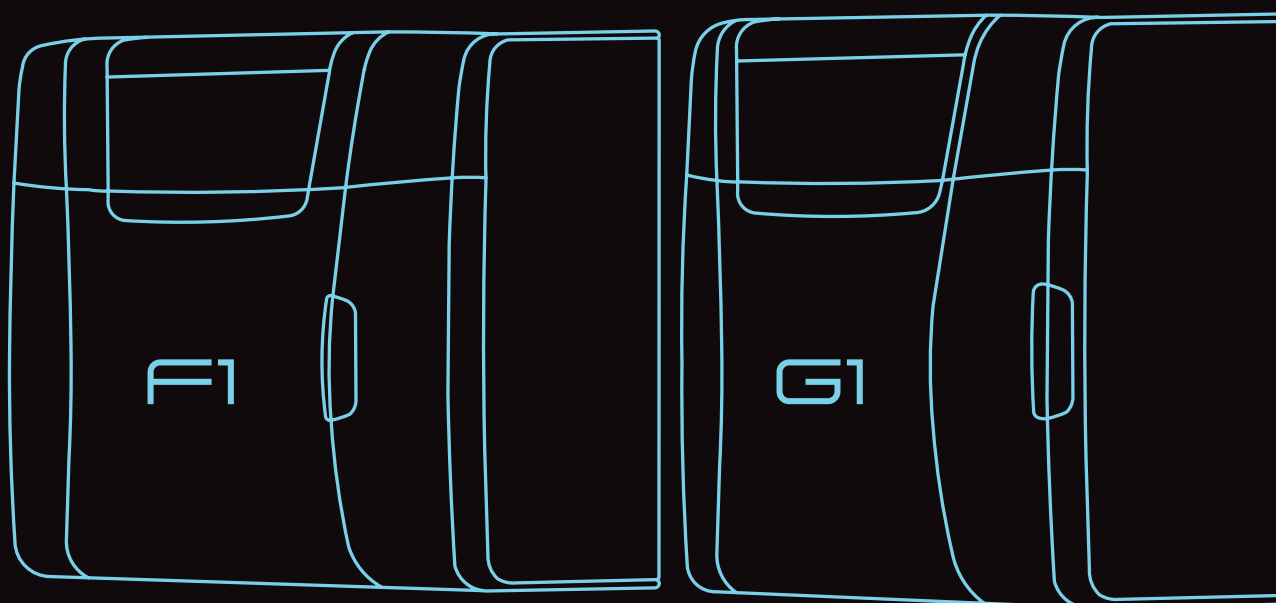


GENERA.



G1/F1

Creation made reliable.

G1/F1

Desktop. Clean. Automated.

The G1/F1 brings the GENERA workflow and automation to your desktop. It is compatible with the GENERA validated material library and uses a cartridge-based material unit to store the resin. The G1/F1 utilizes the GENERA shuttle technology for a clean and safe workflow. The F1 uses a mercury flash bulb for curing the parts in an inert atmosphere.

The parts are cleaned in two cleaning tanks specially designed for secure use with IPA.

The whole workflow is RFID tracked.

The material unit, combined with a material cartridge, ensures clean and safe handling. The material unit is automatically opened by the G1 and automatically dispensed. An integrated recoater helps to mix the resin within the resin vat to ensure consistent print results. The vat can be heated and tracks low resin levels as well as the film lifetime. After the printing process the G1 automatically stores the part in the shuttle. The part is then automatically post-processed by the F1.

HARD FACTS

Print volume

@70 μm

x: 134 mm

y: 76 mm

z: 150 mm

Wavelength

385 nm DLP

2K Resolution

(1920x1080)

Glove free process with shuttle technology and automated post-processing

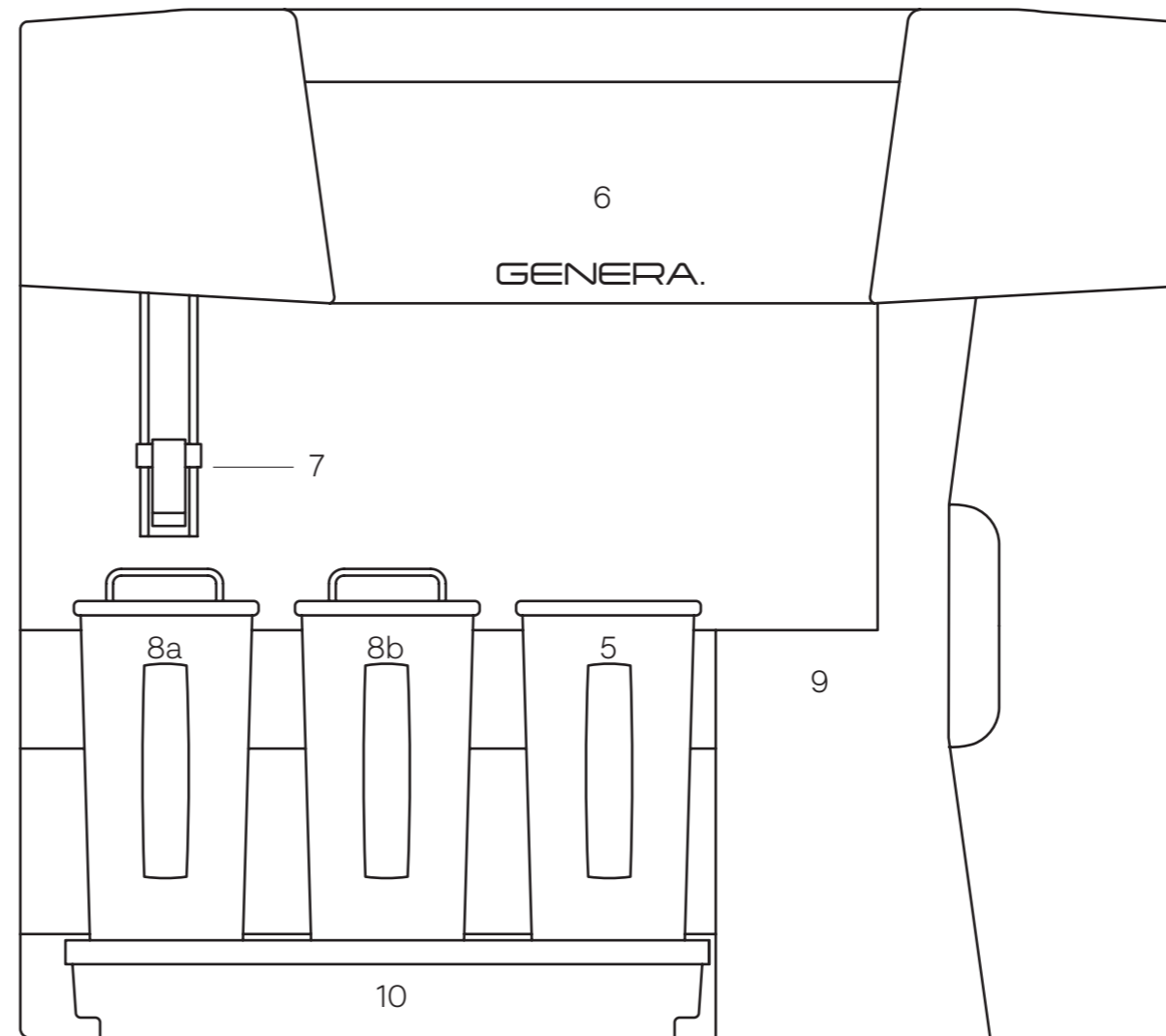
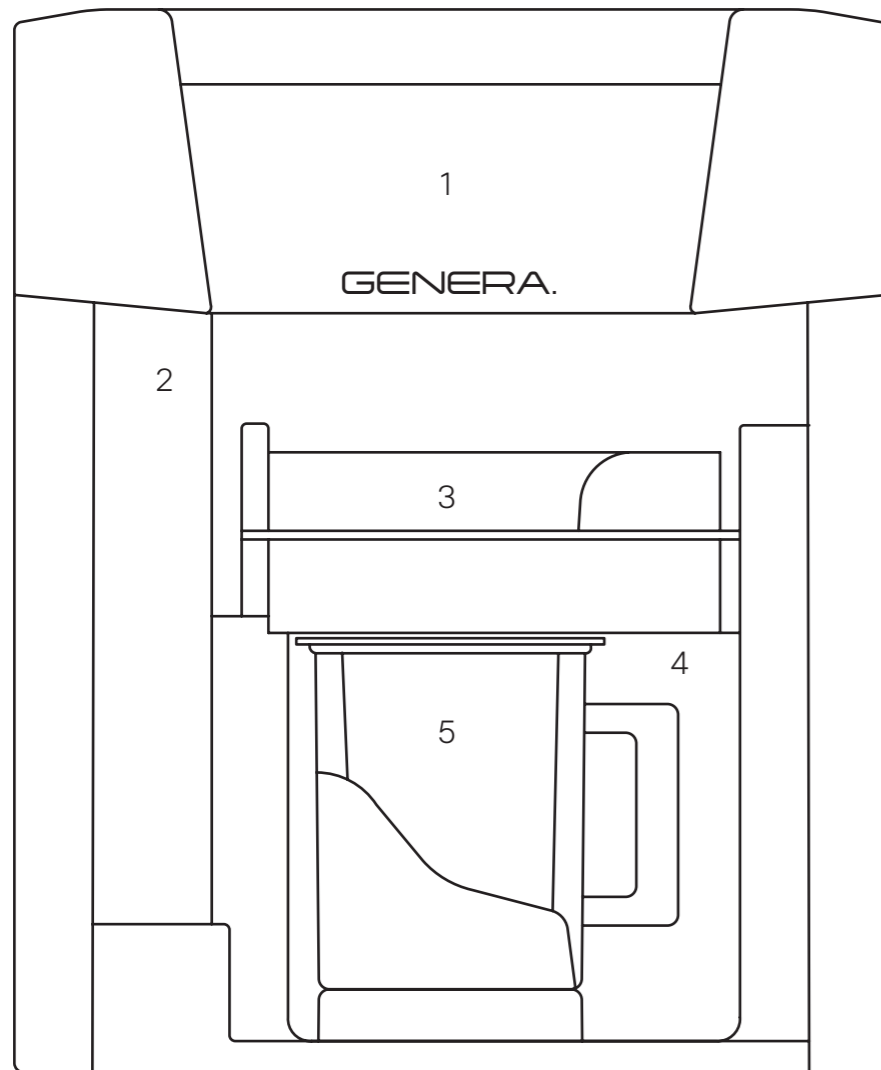
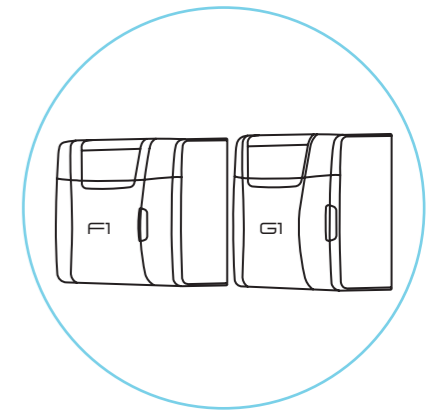
Material unit with cartridge for easy and secure resin handling

Active carbon filter for odor reduction

Post-curing in inert atmosphere

Documentation and traceability by RFID tag and database





SYSTEM COMPONENTS G1/F1

- 1 Human Machine Interface (HMI) with machine control, part preview and printing progress
- 2 Automatic handling system for platforms
- 3 Material unit and cartridge
- 4 2K 385 nm DLP light engine with 70 µm pixel size
- 5 Glove-free process with RFID-tagged transport-shuttle for fully automated post-processing
- 6 Human Machine Interface (HMI) with machine control, part preview and status progress
- 7 Automatic handling system for platforms
- 8a, 8b Glove-free process with RFID-tagged pre- and postwash-container with Integrated magnetic stirrer for fully automated washing
- 9 Post-curing chamber
 - o High-power mercury flash bulb
 - o Inert atmosphere
 - o Part drying
- 10 Overflow protection



alphacam GmbH
Erlenwiesen 16
D-73614 Schorndorf
Tel.: +49 7181 9222-0
info@alphacam.de

alphacam austria GmbH
Handelskai 92, Gate1 / 2. OG / Top A
A-1200 Wien
Tel.: +43 1 3619 600-0
info@alphacam.at

alphacam swiss GmbH
Zürcherstrasse 14
CH-8400 Winterthur
Tel.: +41 52 26207-50
info@alphacam.ch



alphacam.de

.at

.ch